

P602 – Quad Redundant Gigabit Ethernet XMC

- Four 10/100/1000Base-T channels
- 2 XMC connectors with 1 x4 PCIe® link on each connector
- Alternatively two redundant channel pairs
- 4 RJ45 connectors at front
- Full and half duplex
- 1.5 kV electrical isolation



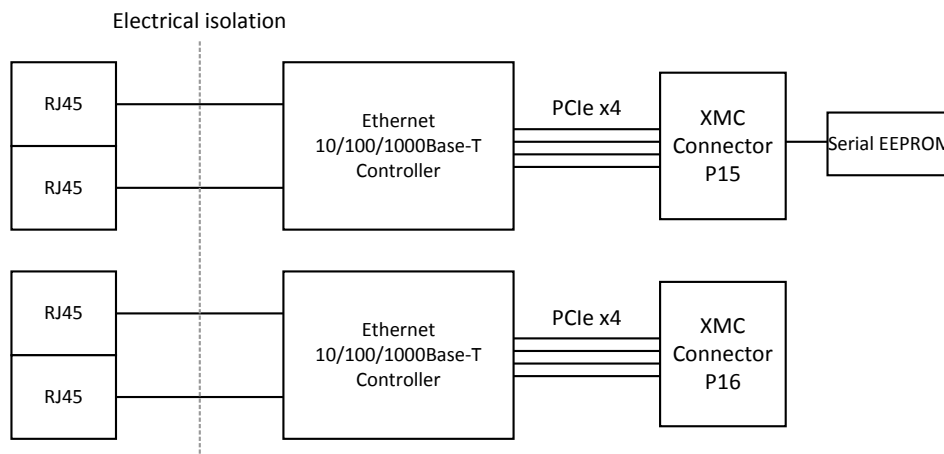
The P602 is a Gigabit Ethernet XMC mezzanine card suitable for any XMC compliant single-board computer or host carrier board in any type of bus system, i.e. CPCI, VME or on any type of stand-alone SBC. Compared to PMC, the XMC standard defines a different board-to-board connector for support of PCI Express®.

The four Ethernet channels on the P602 are provided by two Ethernet controllers with two lines each. Each of the two XMC connectors supports one link with up to four lanes. With a specific set-up the two lines inside each Ethernet controller can be used as a redundant channel pair. In this mode one line is monitored by the other line and the controller recognizes when an error occurs.

The P602 is typically suited as an extension for Windows® and Linux based systems with a heavy demand for multiple and ultra-fast communication requirements. As such it is used in high-bandwidth multi-channel communication applications in networked appliances such as base stations, routers, switches, gateways, residential gateway controllers, etc. Main target markets comprise telecom, medical engineering and transportation.

For use in rugged environments the mezzanine module P602 is delivered with a passive heat sink and is prepared for conformal coating. Equipped with Intel® components that come exclusively from the Intel® Embedded Line, the P602 has a guaranteed minimum standard availability of 5 years.

Diagram



Technical Data

Ethernet	<ul style="list-style-type: none"> ■ Four 10/100/1000Base-T Ethernet channels at front panel ■ RJ45 connectors at front panel ■ Two independent dual-port Ethernet controllers <ul style="list-style-type: none"> □ Fully integrated Gigabit Ethernet Media Access Controllers (MAC) and physical layer ports (PHY) □ 48kB per port on-chip packet buffer □ Full duplex and half duplex operation ■ Ethernet controllers are connected by two PCIe® links with four lanes each ■ Two LEDs per channel to signal LAN Link, Activity status and connection speed (10/100/1000Base-T)
XMC Characteristics	<ul style="list-style-type: none"> ■ Compliant with XMC standard VITA 42.3-200x ■ XMC connectors P15 and P16 assembled
Peripheral Connections	<ul style="list-style-type: none"> ■ Via front panel on four RJ45 connectors
PCI Express®	<ul style="list-style-type: none"> ■ Two links with four lanes each to connect local 1000Base-T Ethernet controllers (1GB/s per channel in each direction) ■ One link with four lanes on XMC connector P15 and one on P16
Electrical Specifications	<ul style="list-style-type: none"> ■ Isolation voltage: 1.5kV DC electrical isolation between isolated side and digital side ■ Supply voltage/power consumption: <ul style="list-style-type: none"> □ +5V or +12V (-5%/+5%), 1.4A typ. (+5V), 600mA typ. (+12V) □ +3.3V (-5%/+5%), 100mA typ. ■ MTBF: 920,841h @ 40°C according to IEC/TR 62380 (RDF 2000)
Mechanical Specifications	<ul style="list-style-type: none"> ■ Dimensions: conforming to XMC standard VITA 42.0-200x ■ Weight: 106 g (with heat sink)
Environmental Specifications	<ul style="list-style-type: none"> ■ Temperature range (operation): <ul style="list-style-type: none"> □ 0..+55°C □ Industrial temperature range on request □ Airflow: min. 10m³/h ■ Temperature range (storage): -40..+85°C ■ Relative humidity (operation): max. 95% non-condensing ■ Relative humidity (storage): max. 95% non-condensing ■ Altitude: -300m to + 3,000m ■ Shock: 15g/11ms ■ Bump: 10g/16ms ■ Vibration (sinusoidal): 2g/10..150Hz ■ Conformal coating on request
Safety	<ul style="list-style-type: none"> ■ PCB manufactured with a flammability rating of 94V-0 by UL recognized manufacturers
EMC	<ul style="list-style-type: none"> ■ Tested according to EN 55022 (radio disturbance), IEC1000-4-2 (ESD) and IEC1000-4-4 (burst)
Software Support	<ul style="list-style-type: none"> ■ Drivers from Intel® for Windows® and Linux

Ordering Information

Standard P602 Models	15P602-00	Quad Gigabit Ethernet interface, 2 XMC connectors, 1x4 PCIe® link on each XMC connector, 0..+55°C
Miscellaneous Accessories	05P000-01	25 mounting screw sets to fix PMC/XMC modules on carrier boards
Software: Windows®	This product is designed to work under Windows®. See below for all available separate software packages.	
	13T001-70	Windows® network driver (Intel®) for F14, F15, F17, F18, D9, D6, D7, D601, A19, A20 and P601, P602
For operating systems not mentioned here contact MEN sales .		
Documentation	Compare Chart mezzanine functions on PMC/XMC and PC-MIP® » Download	
	20P602-00	P602 User Manual

Contact Information

Germany

MEN Mikro Elektronik GmbH
Neuwieder Straße 3-7
90411 Nuremberg
Phone +49-911-99 33 5-0
Fax +49-911-99 33 5-901

info@men.de
www.men.de

France

MEN Mikro Elektronik SAS
18, rue René Cassin
ZA de la Châtelaine
74240 Gaillard
Phone +33 (0) 450-955-312
Fax +33 (0) 450-955-211

info@men-france.fr
www.men-france.fr

USA

MEN Micro Inc.
860 Penllyn Blue Bell Pike
Blue Bell, PA 19422
Phone (215) 542-9575
Fax (215) 542-9577

sales@menmicro.com
www.menmicro.com

The date of issue stated in this data sheet refers to the Technical Data only. Changes in ordering information given herein do not affect the date of issue. All brand or product names are trademarks or registered trademarks of their respective holders.

MEN is not responsible for the results of any actions taken on the basis of information in the publication, nor for any error in or omission from the publication.

MEN expressly disclaims all and any liability and responsibility to any person, whether a reader of the publication or not, in respect of anything, and of the consequences of anything, done or omitted to be done by any such person in reliance, whether wholly or partially, on the whole or any part of the contents of the publication.

The correct function of MEN products in mission-critical and life-critical applications is limited to the environmental specification given for each product in the technical user manual. The correct function of MEN products under extended environmental conditions is limited to the individual requirement specification and subsequent validation documents for each product for the applicable use case and has to be agreed upon in writing by MEN and the customer. Should the customer purchase or use MEN products for any unintended or unauthorized application, the customer shall indemnify and hold MEN and its officers, employees, subsidiaries, affiliates, and distributors harmless against all claims, costs, damages, and expenses, and reasonable attorney fees arising out of, directly or indirectly, any claim or personal injury or death associated with such unintended or unauthorized use, even if such claim alleges that MEN was negligent regarding the design or manufacture of the part.

In no case is MEN liable for the correct function of the technical installation where MEN products are a part of.

Copyright © 2015 MEN Mikro Elektronik GmbH. All rights reserved.