

MC50I

DIN-Rail Computer with Intel Atom for Industrial Gateway Applications **Embedded System for IoT, Network Security and Predictive Maintenance**

- » Intel Atom E3900 series
- » Up to 8 GB DDR3 RAM with ECC
- » Trusted Platform Module
- » M.2 NVMe slot for storage
- » Gb Ethernet, USB 3.0, RS232, RS485/422, DisplayPort
- » DIN rail, wall or 19" rack mounting
- » Input voltage 24 V DC nom. with ignition
- » Full range power supply 16 V DC to 60 V DC
- » -40 °C to +70 °C, fanless



Low Power CPU for IoT/Network Applications

The MC50I is a modular computer for embedded applications in industrial automation. The computing platform features an Intel Atom E3900 series CPU with low power dissipation and scalability in performance and memory.

The MC50I is the ideal basis for functions such as security gateway, predictive maintenance or CCTV, or to act as a diagnostics server.

Modular System for Easy Configuration

The MC50I can be a stand-alone product, but due to the modular concept it offers flexible built-to-order configurations. The box can be easily combined with prefabricated extension modules, providing additional features and short delivery times.

In the modular system, the data transfer between the modules as well as the power distribution between the individual modules takes place via the extension connectors standardized by duagon.

Extension modules can provide application-specific functions like wireless communication (LTE advanced, WLAN, GNSS), CAN bus, or other I/O. A removable storage shuttle can support the integration of a 2.5" SATA HDD/SSD.

Power Saving Design and Security Features

The board management controller provides enhanced reliability and reduced downtime. The Trusted Platform Module supports security and encryption features. With the ignition switch for remote control of booting and shutdown, the platform provides additional features for power saving.

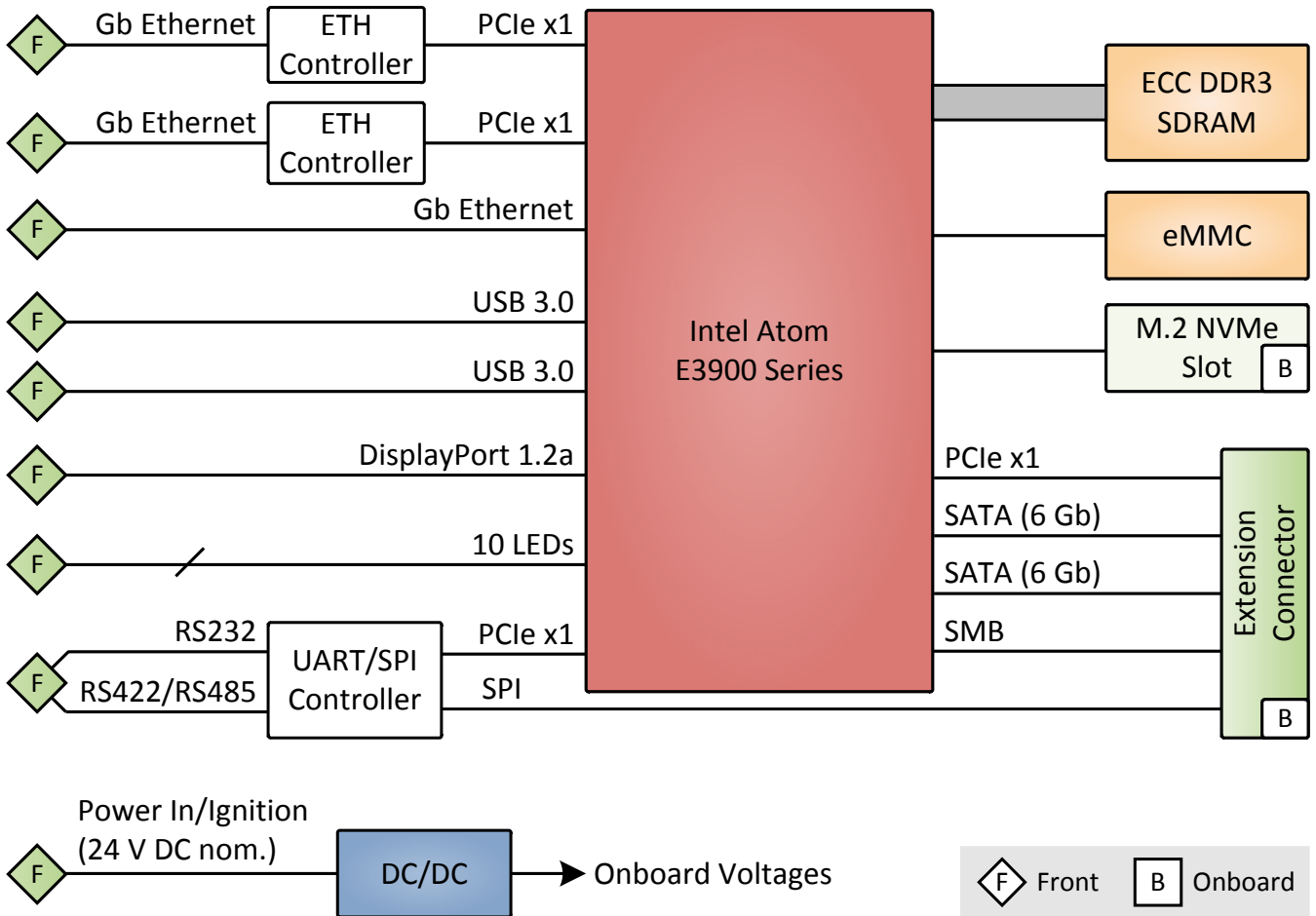
Flexible System Installation

Various mounting options facilitate the integration of the box into an existing environment. The standard 35 mm DIN Rail mounting offers space saving mounting of all system modules on a single rail. Wall mounting and mounting in a 19" rack using adaption brackets are an option.

The aluminum housing with cooling fins allows fanless operation. MC50I has no moving parts, making it maintenance free.

Wayside Qualified and Long-Term Availability

The CPU module is qualified for wayside and information technology applications. Long term availability until 2027 minimizes life-cycle management by making the MC50I available at least for this period of time.



Diagram



CPU

- The following CPU types are supported:
 - Intel Atom x5-E3930, 2 cores, 2 threads, 1.3 GHz, 1.8 GHz Turbo Boost, 6.5 W, 2 MB cache
 - Intel Atom x7-E3950, 4 cores, 4 threads, 1.6 GHz, 2.0 GHz Turbo Boost, 12 W, 2 MB cache

Memory

- System RAM
 - Soldered DDR3, ECC
 - 8 GB max.

Security

- Trusted Platform Module 2.0

Mass Storage

- eMMC (soldered); 64 GB max.
- The following mass storage devices can be assembled:
 - SSD M.2 (NVMe)

Graphics

- Processor graphics
- Maximum resolution: 4096 x 2160 pixels @ 60 Hz, 24 bpp

Interfaces

- SSD/HDD slot
 - 1 × M.2 2242/2260/2280 socket 3 Key M; NVMe (PCIe x1); internally accessible
- Video
 - 1 × DisplayPort 1.2, for service
- USB
 - 2 × USB 3.0, Type A, for service
- Ethernet
 - 3 × 10/100/1000BASE-T, RJ45
- Serial
 - 1 × RS232 isolated, D-Sub, 9-pin, plug
 - 1 × RS422/RS485, isolated, D-Sub, 9-pin, plug
- LED
 - Status: board status (BMC), power status
 - Ethernet: activity, link
 - User configurable: 2 ×
- Power
 - 1 × power in, COMBICON, 3-pin, plug
 - Ignition input
- Earthing connection
 - M4 screw

Supervision and Control

- Board management controller
- Temperature measurement
- Watchdog timer
- Real-time clock, buffered by supercapacitor (5 days)

Electrical Specifications

- Supply voltage
 - 24 V DC nom.
 - 48 V DC nom.
- Power consumption: 10 to 15 W typ. (depending on CPU type and CPU load), 40 W max. (including ME modules)

Mechanical Specifications

- Dimensions: (W) 42 mm, (D) 144 mm, (H) 132 mm
- Weight: 790 g approx.
- Mounting
 - DIN rail
 - Wall/flat surface
 - Rack in 19" cabinet
- Cooling: Air cooling, natural convection, airflow 0.4 m/s
- Protection rating: IP20

Product Compliance: Rail - Wayside Non-Safety Related

- Operating temperature: -40 °C to +70 °C (EN 50125-3:2003, class T2, cubicle, with class T2 maximum extended by 5 °C)
- Storage temperature: -40 °C (EN 60068-2-1:2007, Ab) to +85 °C (EN 60068-2-2:2007, Bb)
- Altitude: +3000 m max. (EN 50125-3:2003, class AX)
- Humidity: 100 % RH max. (EN 50125-2:2002, control cabinet, class T1/T2/TX)
- Shock: 11 ms @ 20 m/s² (EN 50125-3:2003, in a switch cabinet 1 m to 3 m from the track)
- Vibration: 2.3 m/s² (EN 50125-3:2003, in a switch cabinet 1 m to 3 m from the track)
- Electrical safety
 - EN 50124-1:2017
 - EN 62368-1:2014 + AC:2015
- EMC emission
 - EN 50121-4:2016
 - EN 61000-6-4:2007 + A1:2011
- EMC immunity
 - EN 50121-4:2016
 - EN 61000-6-2:2005
- Restrictions: Service interfaces may only be used with a maximum cable length of 3 m for installations 10 m or less away from the track.

Product Compliance: Road Vehicle

- EMC emission: ECE R10 Rev.5
- EMC immunity: ECE R10 Rev.5

Product Compliance: Information Technology Equipment

- Operating temperature: 0 °C (EN 60068-2-1:2007, Ae, temperature value in compliance with 6.6 b) to +60 °C (EN 60068-2-2:2007, Be)
- Storage temperature: -40 °C (EN 60068-2-1:2007, Ab) to +85 °C (EN 60068-2-2:2007, Bb)
- Humidity: +55 °C and +25 °C, 90 % to 100 % RH (EN 60068-2-30:2005, Db)
- Electrical safety: EN 62368-1:2014 + AC:2015
- EMC emission: EN 55032:2015 (multimedia equipment), class A (industrial environments)
- EMC immunity: EN 55024:2010 + A1:2015 (information technology equipment)

Reliability

- 400 000 h predicted @ 40 °C according to IEC/TR 62380 (RDF 2000)

BIOS/Boot Loader

- AMI Aptio UEFI Firmware

Software Support

- Linux
 - Supported kernel: 4.8 or higher. For older kernels (e.g., 4.4.x), patches for the Apollo Lake platform are also available.
 - Driver support
 - Tool support
 - Yocto BSP
 - Tested with: Yocto BSP (Sumo 2.5, Linux kernel 4.15), Lubuntu 18.04 X LTS
- Windows
 - Windows 10 IoT Enterprise 64-bit
 - Driver support
 - Tool support
- [See the product User Manual for details on software support](#)
- [See also Application Note Recommendations for a Robust Software Setup](#)
- [For more information and available packages see Software.](#)

Germany

duagon Germany GmbH

Neuwieder Straße 1-7
90411 Nuremberg
Phone +49 911 99 335 0

sales-deu@duagon.com
www.duagon.com

USA

MEN Micro Inc.

860 Penllyn Blue Bell Pike
Blue Bell, PA 19422
Phone +1 215 542 9575

sales-usa@duagon.com
www.duagon.com

France

MEN Mikro Elektronik SAS

18, rue René Cassin
ZA de la Châtelaine
74240 Gaillard
Phone +33 450 955 312

sales-fra@duagon.com
www.duagon.com

China

MEN Mikro Elektronik Co., Ltd.

Jinjiang Xiangyang Tower
200040 Shanghai
Phone +86 159 0077 2985

sales-chn@duagon.com
www.duagon.com

Up-to-date information, documentation and ordering information:

www.duagon.com/products/mc50i/

duagon is not responsible for the results of any actions taken on the basis of information in the publication, nor for any error in or omission from the publication. duagon expressly disclaims all and any liability and responsibility to any person, whether a reader of the publication or not, in respect of anything, and of the consequences of anything, done or omitted to be done by any such person in reliance, whether wholly or partially, on the whole or any part of the contents of the publication.

The correct function of duagon products in mission-critical and life-critical applications is limited to the environmental specification given for each product in the technical user manual. The correct function of duagon products under extended environmental conditions is limited to the individual requirement specification and subsequent validation documents for each product for the applicable use case and has to be agreed upon in writing by duagon and the customer. Should the customer purchase or use duagon products for any unintended or unauthorized application, the customer shall indemnify and hold duagon and its officers, employees, subsidiaries, affiliates, and distributors harmless against all claims, costs, damages, and expenses, and reasonable attorney fees arising out of, directly or indirectly, any claim or personal injury or death associated with such unintended or unauthorized use, even if such claim alleges that duagon was negligent regarding the design or manufacture of the part.

In no case is duagon liable for the correct function of the technical installation where duagon products are a part of.

© 2020 duagon Germany GmbH